

Slit Seeder

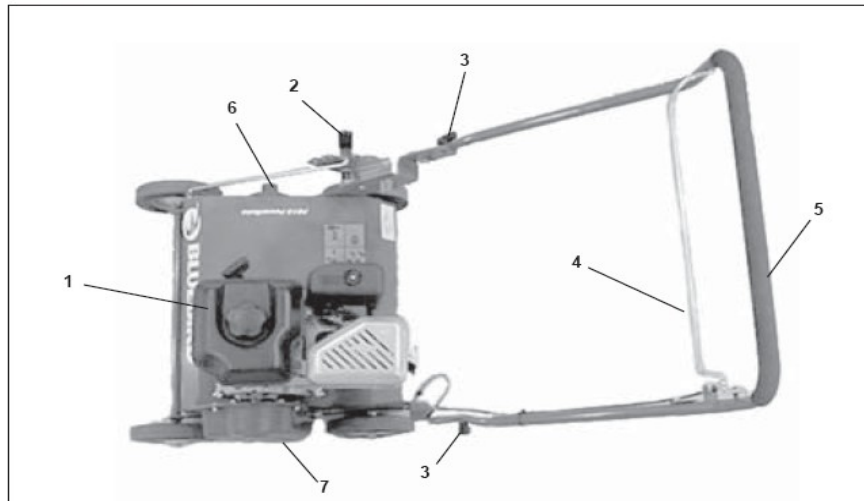
Operator's Guide

1. *Slit Seeding Tips*- The slit seeder is equipped with a delta blade, which is primarily used for overseeding *existing* lawns. They effectively incorporate grass seed into the soil. For best results, cut grass to 1/2" lower than you normally would. Do not water lawn before seeding. If grass is wet, allow to dry before seeding. You may need to thatch, aerate and fertilize your lawn before seeding. Clear the area of any clumped grass, debris, wires, etc. Sow in two directions at 45 degree angles. After seeding, generously water lawn, and continue doing so for about 10-14 days.

2. *Getting Started*- Set blades to 1/8"-1/4" depth with a maximum depth of 1/2". See manufacturers suggestion on the seed bag. The blades are raised and lowered using a depth lever on the right side of the machine. Push in and move lever to the correct height. Higher numbers increase the blade depth. Hold the clutch engaged against the handle and carefully lower into the turf. Do a small test area at a slow pace. If the engine speed drops excessively or the machine pulls forward & bucks roughly, the depth setting is too deep.

3. *Operating on Slopes*- Do not use this machine on slopes with a grade of more than 20 degrees. We recommend working across slopes, rather than up & down. This will yield a more even result. Do not leave the machine standing on slopes unattended.

Main components and operating instruments



- | | |
|--------------------------------|----------------|
| 1. Engine | 5. Handle |
| 2. Depth lever | 6. Shaft guard |
| 3. Knob for collapsible handle | 7. Belt shield |
| 4. Clutch bail | |