

Dog Fence Trencher

Operator's Guide

1. *Trenching Tips-* Before trenching and laying the cable, outline the area to be trenched with spray paint. At the place you want to begin, feed out approximately 3 feet of wire and fasten securely to a stake driven into the ground approximately 1 inch behind the machine. Never trench in wet or muddy conditions.

2. *Before You Start-* Inspect area to be trenched to make sure it is clear of all obstructions and debris. Be certain to check for any electrical wires, sprinkler systems, cables, etc. under the surface. Disengage all clutches before starting the engine. Do not operate machine on any other surface except earth, dirt, ground.

3. *Trenching-* Start machine, lower cutter into the ground, gently pull machine back slowly until ground blade enters trench and begins to bury wire. Carefully pull machine, following pre-marked course. Note: if you go too fast, the engine will slow down. If the engine stalls, push machine toward cable trench only 1 inch and allow engine to return to full speed.

4. *Operating on Slopes-* NEVER operate on slopes exceeding 20% grade. For slopes UNDER 20% grade, work across slope rather than up & down. Run machine at a slower speed on slopes. Do not leave the machine standing on a slope unattended.

Transport/Engaged Lever: To lock in transport position, pull left pistol (see Figure 5) and apply downward pressure. When wheels begin to drop, release pistol, continue downward movement of handle until pin locks axle in transport position. See Figure 6.

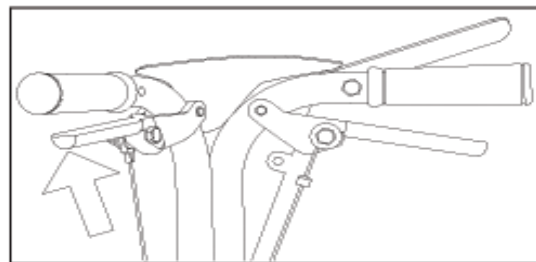


FIGURE 5

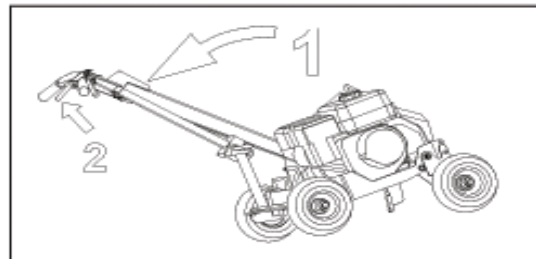


FIGURE 6

Steering/Locking Handle:

This setting is chosen at the rear axle. See Figure 1. Lift and rotate the lever clockwise to steer unit and counter clockwise to lock steering.

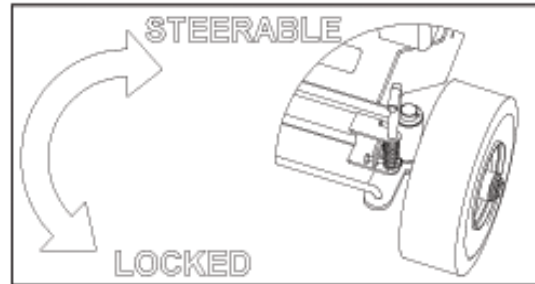


FIGURE 1

Handle Lock: See Figure 2.

Pull and hold lever, raise or lower the handle to desired position, then release lever. The lever can be locked back to allow a "floating" handle position if desired.

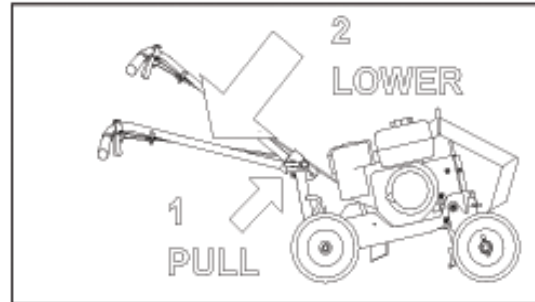


FIGURE 2

Throttle Lever: Pull right pistol to apply full throttle.

The engine has a contained centrifugal clutch, so increasing engine RPM above 2000 will engage the drive. Releasing the throttle lever brings engine back to idle speed and disengages drive.

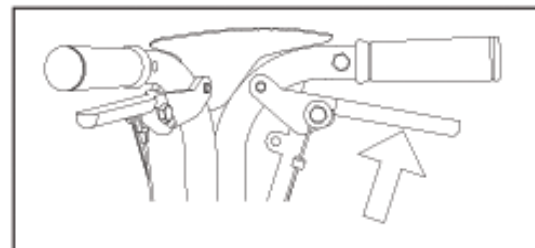


FIGURE 3

Depth Control Setting Plate: Choose a depth position setting, and pin axle lock in desired position. See Figure 4.

Place the unit into transport position. Pull the clevis pin out and slide the height plate until the desired depth lines up with the 2", 3" or 4" deep decal. Replace the pin, the 1/2" pin should line up with the desired setting. Three depth positions are available, 2", 3", 4" deep.

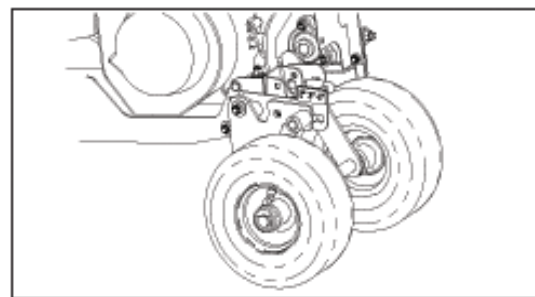


FIGURE 4